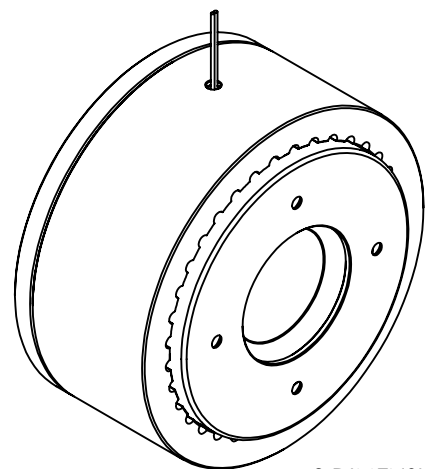
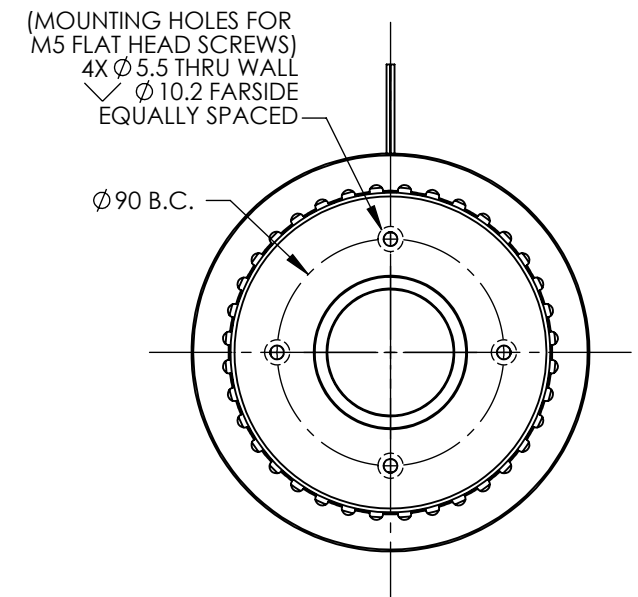
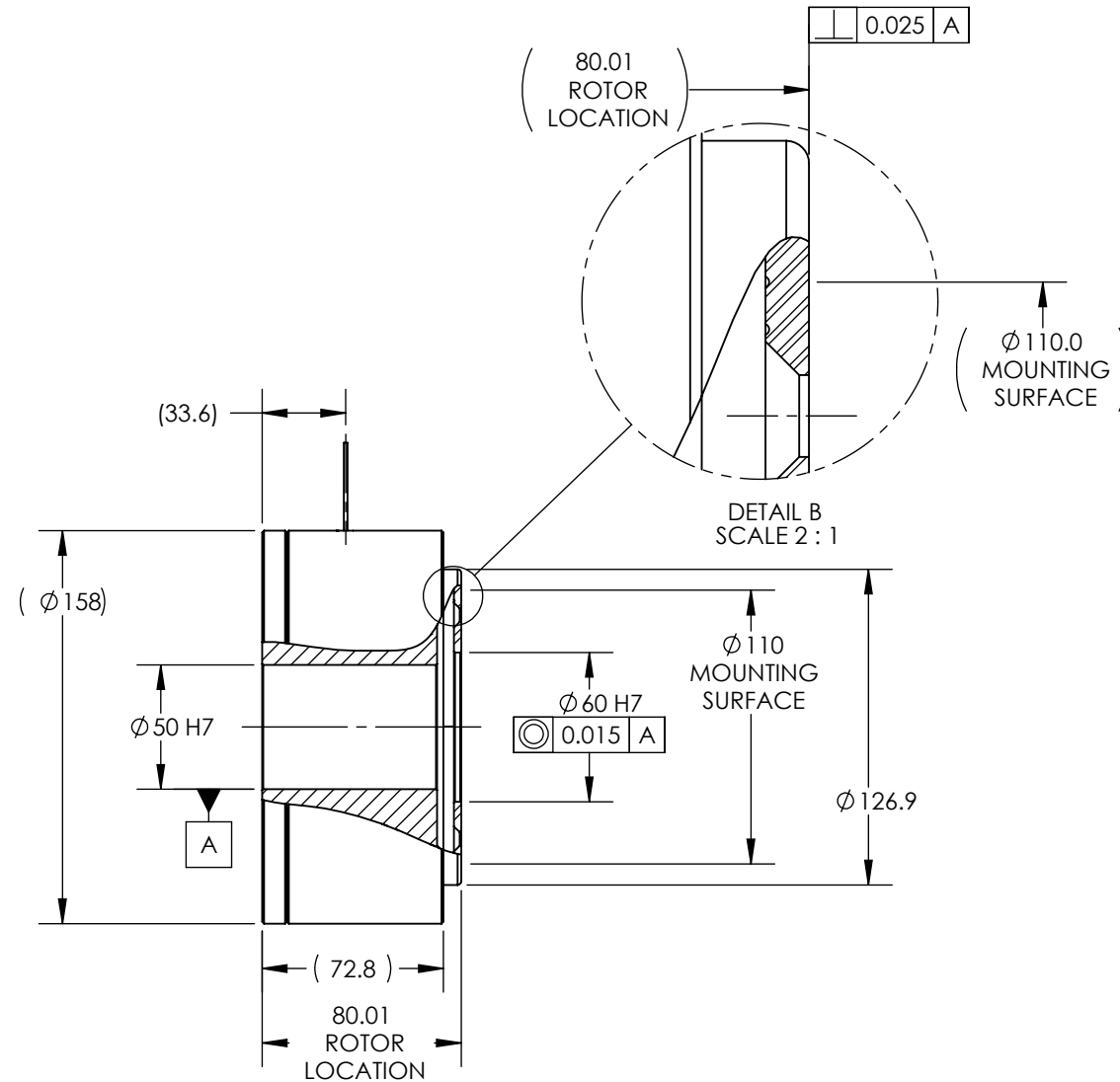
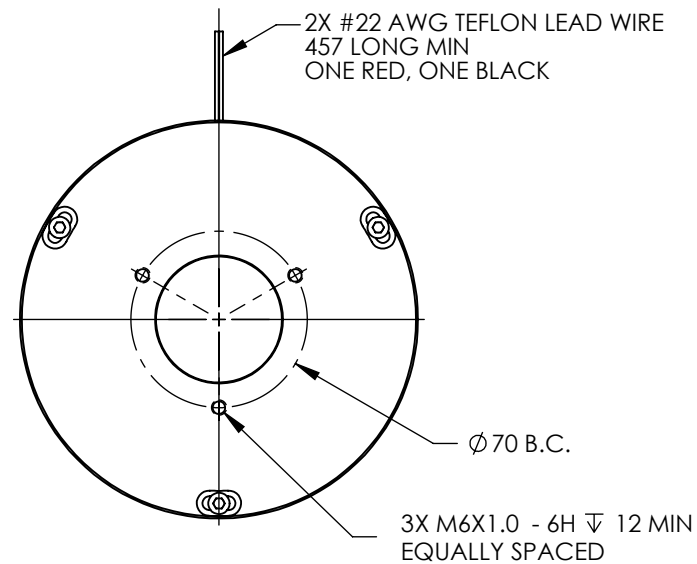


SOLID MODEL AVAILABLE


| MODEL | COIL NUMBER | STOCK CODE | MINIMUM TORQUE AT RATED CURRENT (Nm) | RATED CURRENT (mA) | RESISTANCE ±10% @ 25°C (ohms) | VOLTAGE (Vdc) | NOMINAL POWER (watts) | MAXIMUM SPEED (RPM) | KINETIC POWER RATINGS | |
|---------|-------------|------------|--------------------------------------|--------------------|-------------------------------|---------------|-----------------------|---------------------|-----------------------|--------------------|
| | | | | | | | | | 5 MINUTE (watts) | CONTINUOUS (watts) |
| LB-750M | -1 (90 Vdc) | 005151 | 5.0 | 107 | 845 | 90 | 9.6 | 2,000 | 1,000 | 200 |
| | -2 (24 Vdc) | 005036 | | 383 | 60 | 23 | 8.8 | | | |
| | -3 (12 Vdc) | 005466 | | 690 | 20 | 13.8 | 9.5 | | | |



3 DIMENSIONAL VIEW
SCALE 1:3

ALIGNMENT NOTES:

- THE POLE/CASE ASSEMBLY AND THE ROTOR ARE SHIPPED AS SEPARATE ITEMS.
- IT IS THE RESPONSIBILITY OF THE MACHINE DESIGNER TO ASSURE PROPER ALIGNMENT OF THE MATING BRAKE PARTS IN THE FINAL ASSEMBLY.
- THESE COMPONENTS MUST BE MOUNTED SUCH THAT THE CONCENTRICITY AND PERPENDICULARITY BETWEEN THE ROTOR AND POLE DOES NOT EXCEED THE SPECIFIED TOLERANCES.

| MATERIAL: | | | | DESIGN | AJC | 02/28/03 |  MAGTROL INC. 70 GARDENVILLE PKWY, W. BUFFALO, NEW YORK 14224-1322 | |
|---|--|---------------------|--|---|-----|---------------------------|--|-----------------|
| FINISH: | | | | DRAWN | AJC | 02/28/03 | | |
| THIRD ANGLE PROJECTION | | | | CHECKED | DTW | 02/28/03 | | |
| THIS DRAWING AND SPECIFICATION CONTAINS PROPRIETARY INFORMATION TO MAGTROL INC. ANY DISCLOSURE OR REPRODUCTION OF THIS DOCUMENT WITHOUT WRITTEN AUTHORIZATION FROM MAGTROL INC. IS EXPRESSLY PROHIBITED | | | | UNLESS OTHERWISE SPECIFIED: DIMENSIONS ARE IN MILLIMETERS DIAMETERS CONCENTRIC: .08 TIR FACES PERPENDICULAR: .08 INTERPRETATION PER ASME Y14.5M-1994 REMOVE ALL BURRS AND BREAK SHARP EDGES 0.13/0.25 X 45° INSIDE CORNERS TO BE R 0.5 MAX TOLERANCES: .X ± .25 X ± .4 .XX ± .13 X° ± 1° SURFACE FINISH 3.2 µm MAX | | | TITLE: LB-750M LARGE BORE BRAKE | |
| | | | | USED ON: - SIMILAR TO: - | | DWG NO: LB-750M | | REV E |
| SIZE B | | SCALE 1:3 | | SHEET # | | | | |

INSTALLATION DRAWING