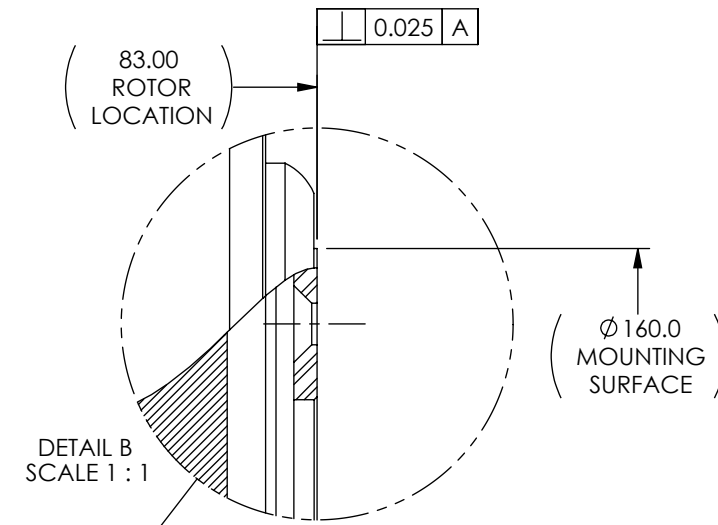


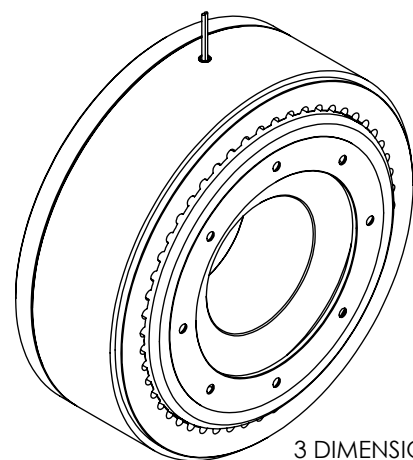
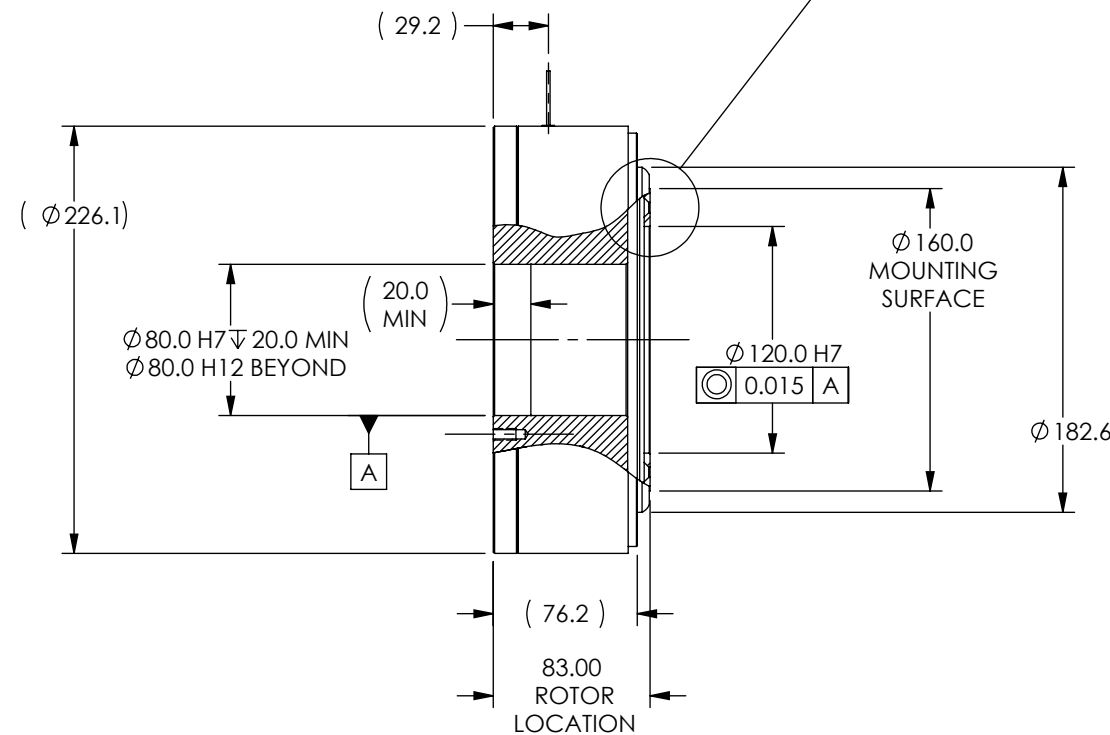
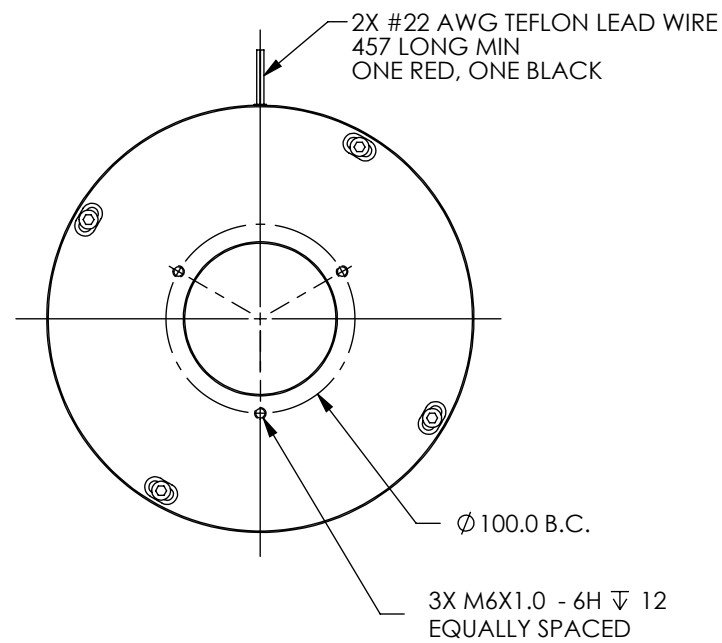
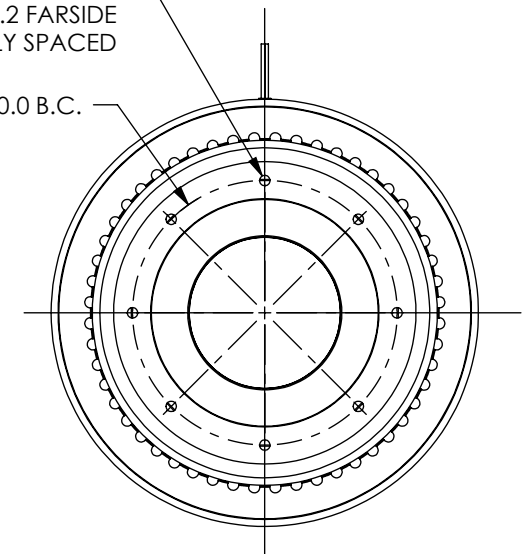
| MODEL | COIL NUMBER | STOCK CODE | MINIMUM TORQUE AT RATED CURRENT (Nm) | RATED CURRENT (mA) | RESISTANCE ±10% @ 25°C (ohms) | VOLTAGE (Vdc) | NOMINAL POWER (watts) | MAXIMUM SPEED (RPM) | KINETIC POWER RATINGS | |
|----------|-------------|------------|--------------------------------------|--------------------|-------------------------------|---------------|-----------------------|---------------------|-----------------------|--------------------|
| | | | | | | | | | 5 MINUTE (watts) | CONTINUOUS (watts) |
| LB-1750M | -2 (24 Vdc) | 004137 | 12.0 | 500 | 52 | 26 | 13 | 1,800 | 1,200 | 350 |

SOLID MODEL AVAILABLE



(MOUNTING HOLES FOR M5 FLAT HEAD SCREWS)
8X Ø 5.5 THRU WALL
∇ Ø 10.2 FAR SIDE EQUALLY SPACED


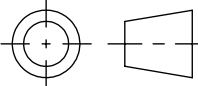
Ø 140.0 B.C.



3 DIMENSIONAL VIEW
SCALE 1 : 4

ALIGNMENT NOTES:

- THE POLE/CASE ASSEMBLY AND THE ROTOR ARE SHIPPED AS SEPARATE ITEMS.
- IT IS THE RESPONSIBILITY OF THE MACHINE DESIGNER TO ASSURE PROPER ALIGNMENT OF THE MATING BRAKE PARTS IN THE FINAL ASSEMBLY.
- THESE COMPONENTS MUST BE MOUNTED SUCH THAT THE CONCENTRICITY AND PERPENDICULARITY BETWEEN THE ROTOR AND POLE DOES NOT EXCEED THE SPECIFIED TOLERANCES.

| | | | | | |
|---|---|-----|----------|---|--|
| MATERIAL: | DESIGN | DTW | 08/22/00 |  | MAGTROL INC. 70 GARDENVILLE PKWY, W. BUFFALO, NEW YORK 14224-1322 |
| | DRAWN | AJC | 08/28/08 | | |
| FINISH: | CHECKED | - | - | TITLE | |
| | UNLESS OTHERWISE SPECIFIED: DIMENSIONS ARE IN MILLIMETERS, DIAMETERS CONCENTRIC: .08 TIR, FACES PERPENDICULAR: .08 INTERPRETATION PER ASME Y14.5M-1994 REMOVE ALL BURRS AND BREAK SHARP EDGES .13/.25 X 45°, ALL INSIDE CORNERS TO BE .5 R MAX. TOLERANCES: X ± .4 .XX ± .13 .X ± .25 ANG. ± 1° SURFACE FINISH 3.2 µm MAX. U.O.S. | | | LB-1750M LARGE BORE BRAKE | |
| THIRD ANGLE PROJECTION |  | | | USED ON: - | REV |
| THIS DRAWING AND SPECIFICATION CONTAINS PROPRIETARY INFORMATION TO MAGTROL INC. ANY DISCLOSURE OR REPRODUCTION OF THIS DOCUMENT WITHOUT WRITTEN AUTHORIZATION FROM MAGTROL INC. IS EXPRESSLY PROHIBITED | | | | SIMILAR TO: 004112 | A |
| | | | | DWG. NO. | LB-1750M |
| | | | | SIZE | 2 OF 2 |
| | | | | SCALE | 1:4 |
| | | | | SHEET # | 2 OF 2 |